

BOLTE



# GD

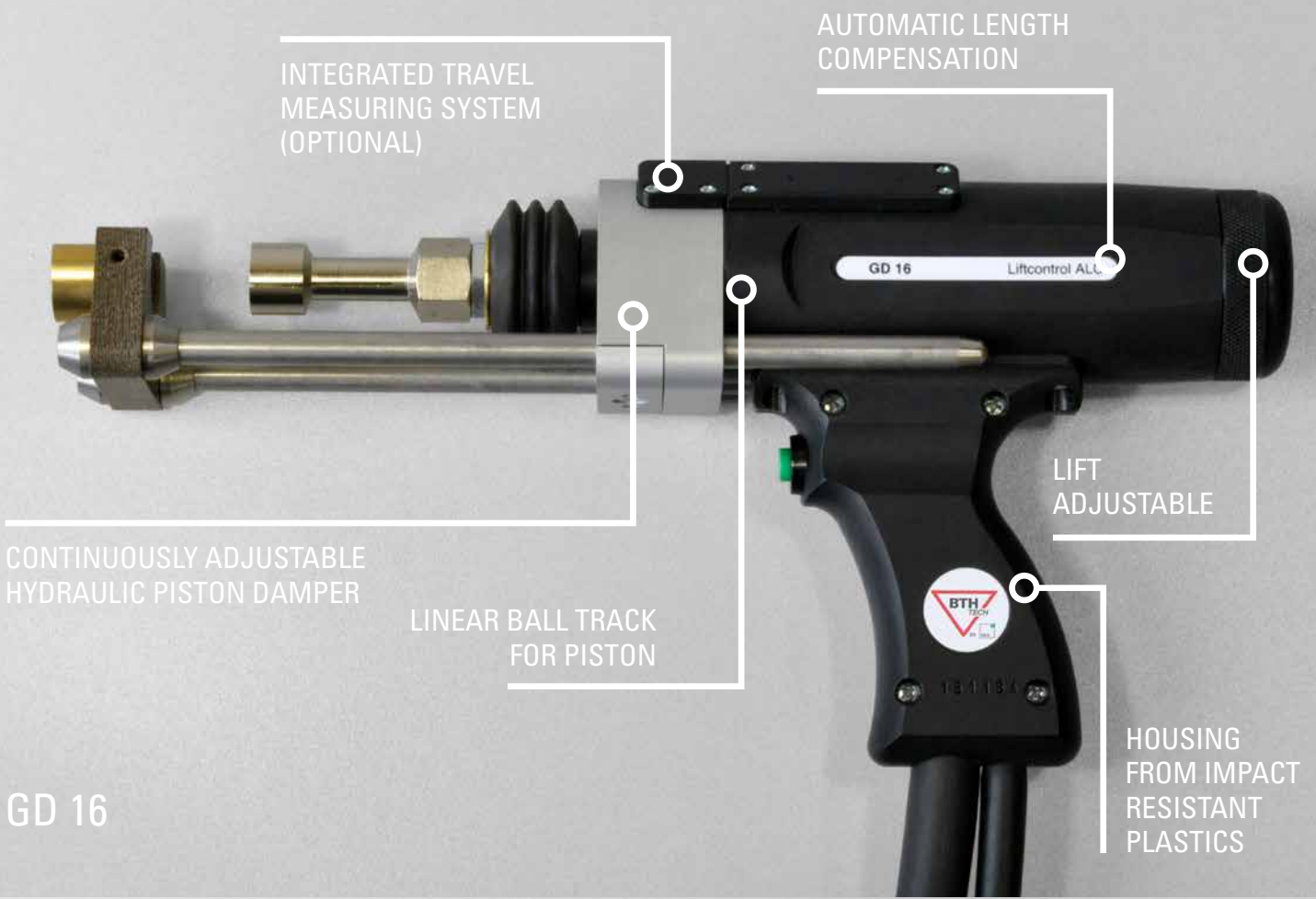
STUD WELDING GUNS FOR DRAWN ARC AND  
SHORT CYCLE STUD WELDING



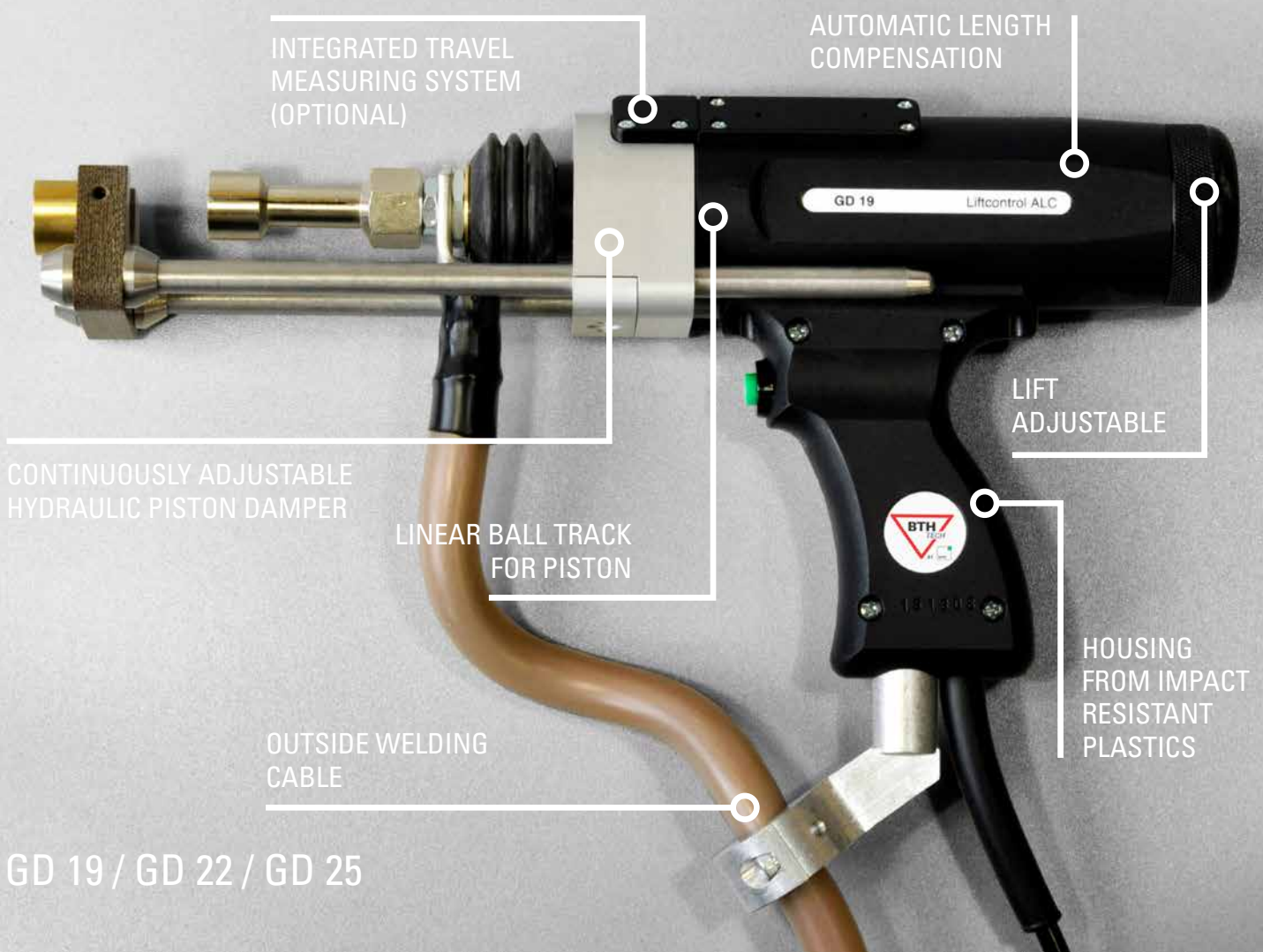
STUD WELDING TECHNOLOGY BY



STUD WELDING



GD 16



GD 19 / GD 22 / GD 25

INTEGRATED TRAVEL  
MEASURING SYSTEM  
(OPTIONAL)

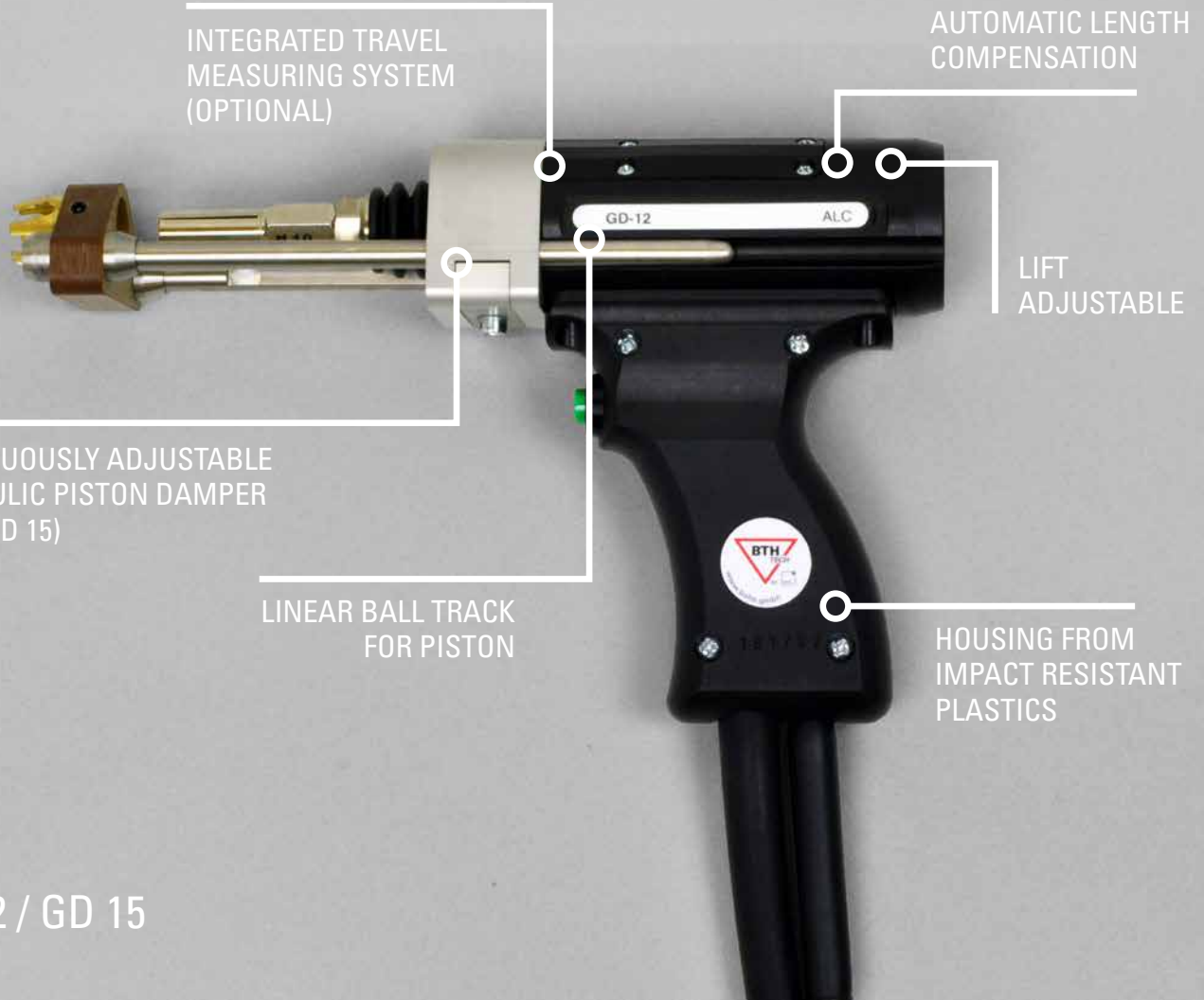
AUTOMATIC LENGTH  
COMPENSATION

LINEAR BALL TRACK  
FOR PISTON

LIFT  
ADJUSTABLE

HOUSING FROM  
IMPACT RESISTANT  
PLASTICS

GD 12sc



## INTEGRATED TRAVEL MEASURING SYSTEM



- » MEASURING OF STUD TRAVEL (LIFT, PISTON RUNTIME AND IMMERSION DEPTH)
- » MEASURED VALUES ARE SHOWN IN THE DISPLAY OF THE STUD WELDING UNIT\*

### ADVANTAGES

- » very easy adjustment and checking of lift
- » A correctly adjusted lift is a key factor for a high-quality stud weld.  
→ As the adjusted lift is shown in the display of the unit time-consuming manual measuring is no longer necessary.



### MONITORING OF WELDING QUALITY

- » Comparison of actual values to set values for each weld  
→ in case of variances a warning is displayed or the unit is locked for further welds
- » storage of the last ten welding parameter sets in the stud welding unit optional: welding parameter memory for 24500 welding parameter sets



\*Only in connection with series PRO-I, PRO-D and PRO-C units.

## TECHNICAL DATA AND CHARACTERISTICS

	GD 12sc	GD 12	GD 15	GD 16	GD 19	GD 22	GD 25
<b>Welding method</b>							
Drawn arc (ceramic ferrule)		x	x	x	x	x	x
Drawn arc (shielding gas)		o	o	o	o	o	o
Short cycle	x						
<b>Welding range (Ø mm)</b>							
Drawn arc (ceramic ferrule)		3 - 12	3 - 15	3 - 16	3 - 19	3 - 22	3 - 25
Drawn arc (shielding gas)		3 - 12	3 - 12	3 - 12	3 - 12	3 - 12	3 - 12
Short cycle	3 - 12						
<b>Lift (mm) adjustable</b>	0 - 2,5	0 - 2,5	0 - 2,5	0 - 4	0 - 4	0 - 6	0 - 6
<b>Hydraulic piston damper (continuously adjustable)</b>			x	x	x	x	x
<b>Integrated travel measuring system</b>	o	o	o	o	o	o	o
<b>Piston guide</b>							
Linear ball track	x	x	x	x	x	x	x
<b>Automatic length compensation</b>	x	x	x	x	x	x	x
<b>Welding cable</b>							
-cross-section (mm <sup>2</sup> )	35	35	35	50	95	95	120
-length (m)	5	5	5	5	2	2	2
<b>Welding cable</b>							
inside	x	x	x	x			
outside					x	x	x
<b>Control cable plug</b>	12-pin	12-pin	12-pin	12-pin	12-pin	12-pin	12-pin
<b>Housing from impact resistant plastics</b>	x	x	x	x	x	x	x
<b>Protection of piston guidance from welding spatters</b>	x	x	x	x	x	x	x
<b>Dimensions</b>							
Width (mm)	57	57	57	68	68	68	68
Height (mm)	163	163	163	180	180	180	180
Length (mm)	195	180	180	260	260	295	295
Weight without cable (kg)	1,5	1,4	1,45	1,86	1,86	2,45	2,45

x – Standard, o – Option



## Bolte GmbH

Flurstraße 25  
D-58285 Gevelsberg

Tel.: +49 (0)2332 55106-0  
Fax: +49 (0)2332 55106-11

Ohmstraße 3  
D-85221 Dachau

Tel.: +49 (0)8131 5159-0  
Fax: +49 (0)8131 5159-11

E-Mail: [info@bolte.gmbh](mailto:info@bolte.gmbh)



[www.bolte.gmbh](http://www.bolte.gmbh)